

YEAR 5 NUMERACY – SET 6

Name Date

Some blocks of chocolate have lines on them so that they can be broken into 15 squares.
Nine children share 3 blocks of chocolate equally.

1 How many squares will each child get?

- 3 5 9 15

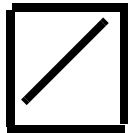
Gito's birthday is on Wednesday August 28.
His sister Calli has her birthday on the first Thursday in September.
2 Calli's birthday is on September

1. 4. 5. 6.

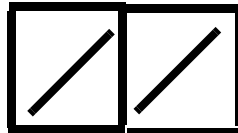
3



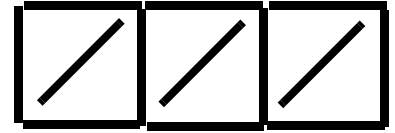
1st



2nd



3rd



4th

How many sticks will be needed to make the 7th shape in this pattern?

- 17 25 29 30

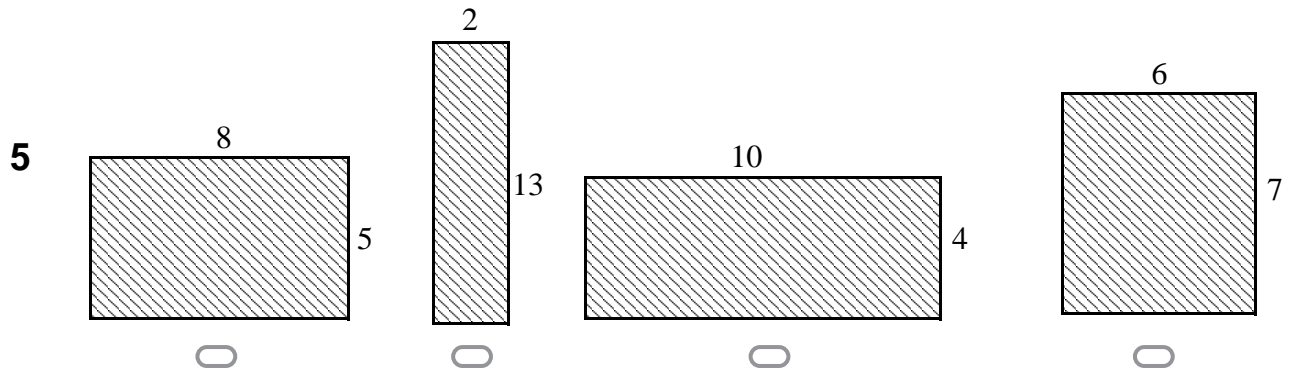
4

Which of these distances is the same as 0.8 m?

- 8 cm 80 mm 80 cm 800 cm

YEAR 5 NUMERACY – SET 6

Which one of these rectangles has an area of 40 square units and a perimeter of 26 units?



6 Between them, Elle and Gavin have collected 90 cards.
Elle has 16 cards more than Gavin.
How many cards does Gavin have?

7 The coach of a netball team cuts 5 oranges into quarters and puts them in a bucket.
During a break in the game, each of the 7 team members eats half an orange.
How many quarter-oranges are left in the bucket after the break in the game?

- 6 7 10 13

8 A 3D shape has 5 faces and 8 edges.
Which one of these could be this shape?

- octagon
 pentagon
 triangular prism
 square-based pyramid